

# QUICK-HITCH Mounting System

The Hiniker Quick-Hitch is the fastest plow mounting system available. The self-aligning drive-in mount lets you connect your Hiniker plow in seconds. This eliminates manually lifting, pushing, and pulling the plow into place.

- 1** Drive truck forks into plow receiver
- 2** Pull lever to lock plow to truck & raise stand
- 3** Plug in connections & you're ready to roll!

Reverse the process to disconnect the entire plow assembly just as quickly, leaving it ready for the next snow. Because Hiniker makes it so easy to disconnect your plow, you'll save weight and wear on your truck when the plow is not needed.



## 7000 Series

### Conventional Snowplow Specifications

BLADE WIDTH	BLADE HEIGHT	MOLDBOARD SURFACE	VERTICAL RIBS	COMPRESSION TRIP SPRINGS	PLOW WIDTH @ 30° ANGLE	CUTTING EDGE (HIGH CARBON 1084 STEEL)	TRIP HEIGHT	PLOW WEIGHT (LBS.)*
8'	30"	1/4" HMW poly	10	4	83"	3/8" x 6"	9"	733
9'	30"	1/4" HMW poly	10	4	93"	3/8" x 6"	9"	767

## 8000 Series

### C-Plow Specifications

BLADE WIDTH	BLADE HEIGHT	MOLDBOARD SURFACE	VERTICAL RIBS	COMPRESSION TRIP SPRINGS	PLOW WIDTH @ 30° ANGLE	CUTTING EDGE (HIGH CARBON 1084 STEEL)	TRIP HEIGHT	PLOW WEIGHT (LBS.)*
8'	30"	1/4" HMW poly	10	4	83"	3/8" x 6"	9"	800
9'	30"	1/4" HMW poly	10	4	93"	3/8" x 6"	9"	835

### Optional Equipment

SERIES	OPTION
7000	Rubber Snow Deflector
7000	Molded Poly Snow Deflector
7000/8000	Rubber Cutting Edges
7000/8000	Clip-on Box Ends
7000/8000	Flexstand Controller Holder

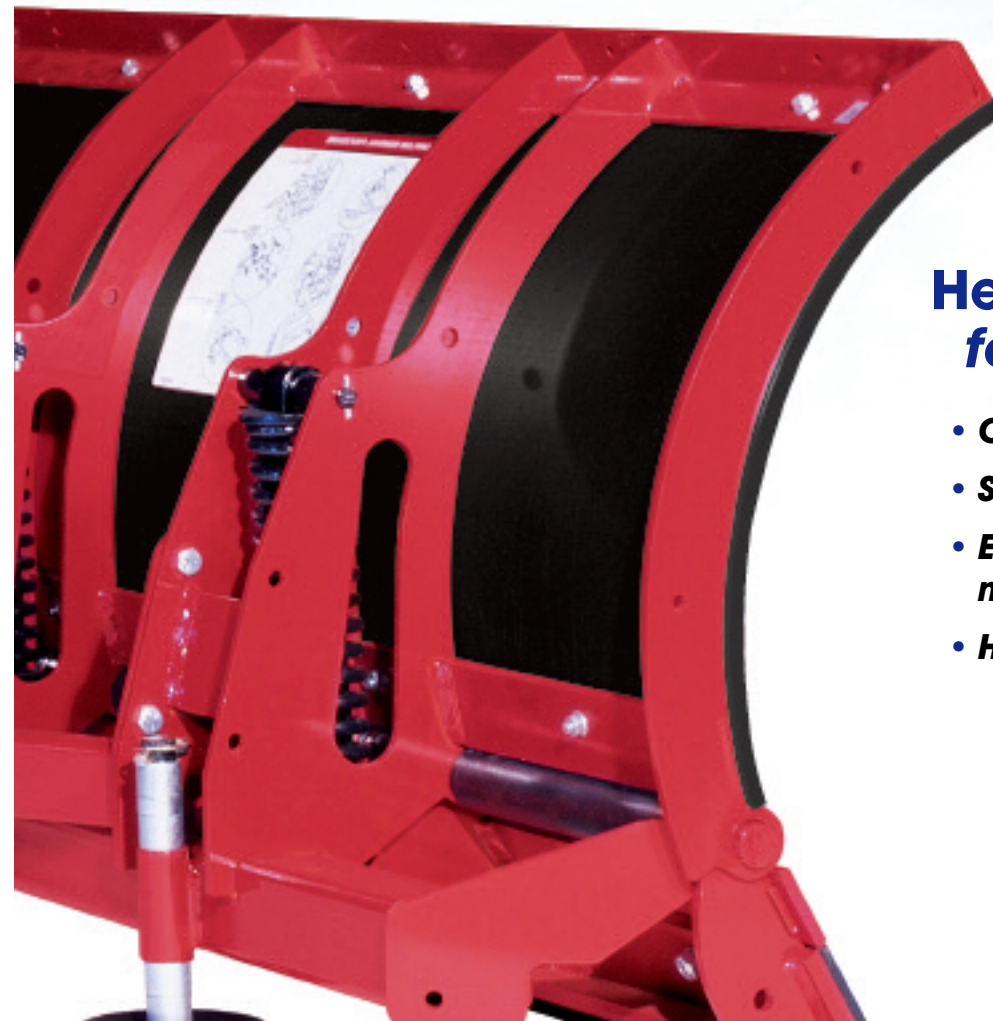
\* Weight net of truck-mounted hardware.

WE RESERVE THE RIGHT TO AMEND THESE SPECIFICATIONS AT ANY TIME WITHOUT NOTICE. THE ONLY WARRANTY APPLICABLE IS OUR STANDARD WRITTEN WARRANTY. WE MAKE NO OTHER WARRANTY, EXPRESSED OR IMPLIED.



**HINIKER COMPANY**  
58766 240 St. • P.O. Box 3407  
Mankato, MN 56002-3407  
Phone (507) 625-6621  
Fax (507) 625-5883  
[www.hiniker.com](http://www.hiniker.com)

# HINIKER HIGH-PERFORMANCE TRIP-EDGE SNOWPLOWS



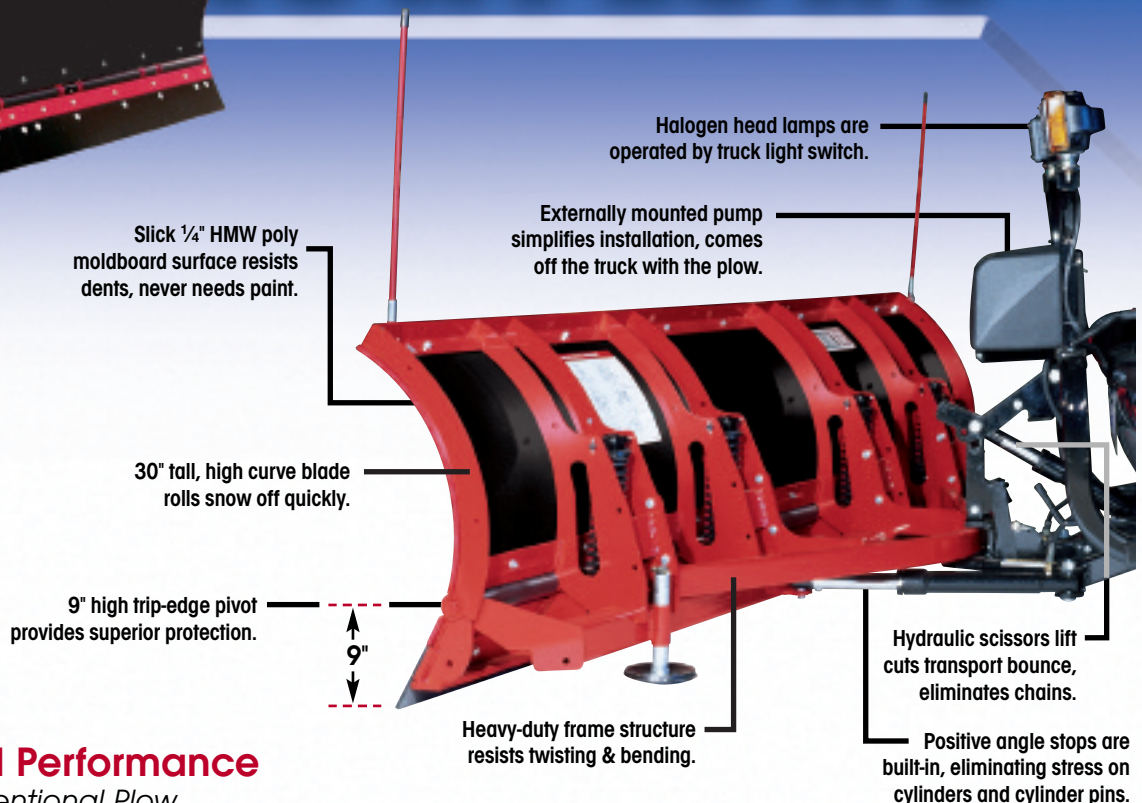
## Heavy-Duty Snowplows for Extreme Winters!

- **Conventional and C-Plow designs**
- **Slick, durable poly moldboard**
- **Extra strength trussed moldboard frame**
- **High clearance split trip-edge**



# 7000 Series Conventional SNOWPLOWS

# 8000 Series Convertible C-PLOWS



## Get Professional Performance The 7000 Series Conventional Plow

The 7000 horizontal-truss moldboard design provides incredible strength, durability and resistance to bowing. Ten laser-cut support ribs add exceptional vertical strength. The corrosion-proof poly moldboard

is dent-resistant with less surface friction for easier plowing and greater efficiency. In addition, impregnated color means long-lasting, good-looking appearance.



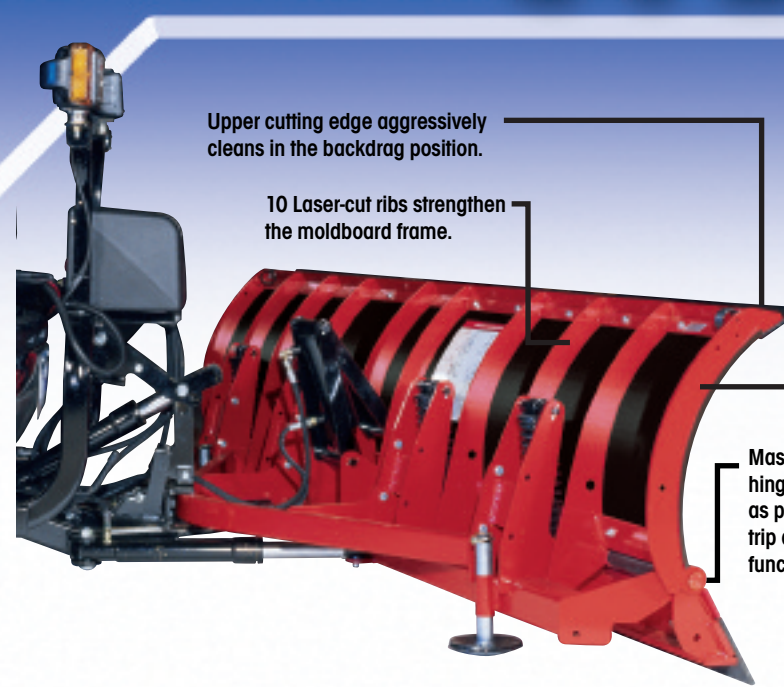
Commercial plowers will appreciate the extra strength and efficient design of the 7000/8000 Series plows.



Convenient, compact joystick control mounts anywhere or can be hand-held. C-Plow shown.



Optional clip-on box ends reduce spillage in both forward and back-drag positions. C-Plow shown with optional rubber cutting edges.



## Move More Snow Faster Hiniker 8000 Series C-Plow

The Hiniker 8000 Series C-Plow offers all of the heavy-duty performance of the 7000 Series conventional plow **plus** the added versatility of a high performance backdrag plow. Plow loading docks, residential driveways, and congested parking areas faster than ever. The patented Hiniker C-Plow blade actually

converts from a conventional plow into a backdrag plow with the push of a button, letting you remove snow quickly and easily from garage aprons, curbs, loading docks, and tight corners. Then touch a button again to flip the blade upright and push the snow away.



Full-featured conventional plowing with the C-Plow in **push** position.



C-Plow in **pull** position makes backdragging driveways a breeze.



An amazing time-saver in parking lots and loading docks.

## Horizontal-Truss Moldboard Frame

Seen from above, the horizontally trussed structure of the moldboard provides exceptional resistance to bending and bowing, for extra heavy-duty applications. Ten laser-cut steel ribs add exceptional strength to the low-friction poly moldboard.



## Heavy-Duty Poly Moldboard

All Hiniker 7000/8000 Series plows use a 1/4-inch thick HMW polyethylene moldboard. This low-friction material allows snow to flow easily for easier, more efficient plowing. Plus, it's color impregnated, dent-resistant, and corrosion-free.



## PERFORMANCE ENHANCING FEATURES

for both Conventional and C-Plows

## High Clearance Split Trip-Edge

A split design enables each half of the trip-edge to operate independently of the other, reducing stress and twisting forces on the plow. Both halves can be bolted together at the center for a full-width trip-edge. A pivot point 9 inches above the surface provides maximum protection, allowing the trip-edge to clear large obstructions and curbs.



## "No-Pinch" Pivot

Prevents stones, ice or other debris from jamming the trip-edge. This allows for the full return of the trip-edge every time.

