

Hiniker Company
 58766 240th St.
 P.O. Box 3407
 Mankato, MN 56002

VEHICLE INSTALLATION INSTRUCTIONS FOR:
 DODGE RAM 4500/5500 STERLING BULLET 45/55 2008 & NEWER

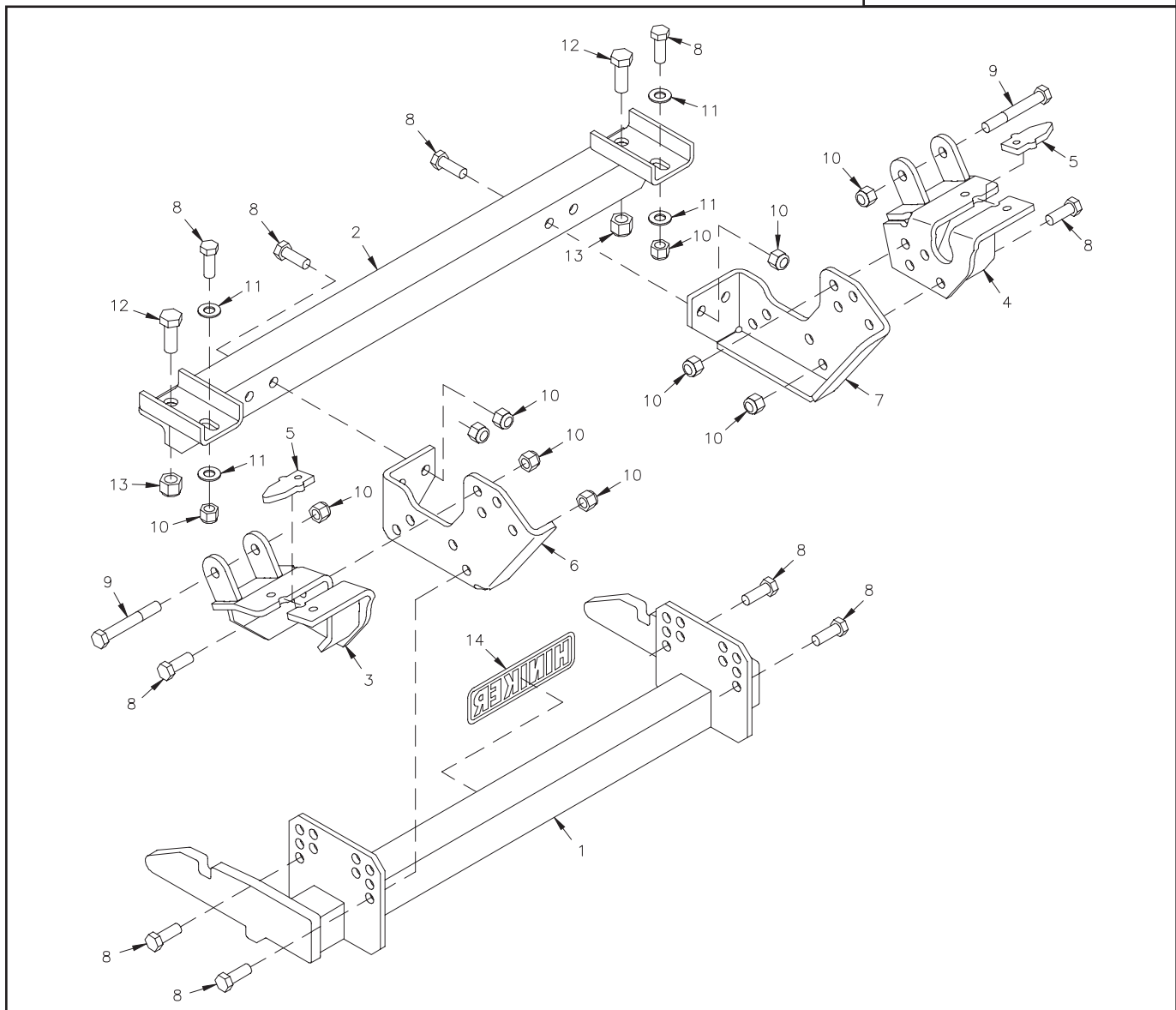
INSTRUCTION SHEET NO: 25012604

August 1, 2008



IMPORTANT: Read the Snowplow Operator's Manual before assembling this kit.

REAR BALLAST - As required to meet front GAWR



Mount Kit 25012594

DWG. NO. 6333

REF. NO.	PART NUMBER	DESCRIPTION	QTY.	REF. NO.	PART NUMBER	DESCRIPTION	QTY.
1	25012253	Prong Weldment	1	9	061961	Hex Head Cap Screw 5/8-11 x 4 1/2 Gr. 8	2
2	25012597	Cross Brace Weldment	1	10	060756	Lock Nut 5/8-11 Nylon Insert	24
3	25012598	LH Rear Bracket Weldment	1	11	952-004-070	Flat Washer 5/8 Inch Hardened	4
4	25012599	RH Rear Bracket Weldment	1	12	950-001-029	Hex Head Cap Screw 3/4-10 x 1 3/4 Gr. 5	2
5	25012600	Spacer	2	13	951-003-010	Lock Nut 3/4-10 Nylon Insert	2
6	25012601	LH Side Bracket	1	14	25010008	Hiniker Decal	1
7	25012602	RH Side Bracket	1		25012603	Bolt Bag	1
8	950-001-132	Hex Head Cap Screw 5/8-11 x 1 3/4 Gr. 5	22				

All hardware should be tightened only enough to ensure safety during assembly. Fully tighten all hardware after entire assembly is completed.

GRADE 5 TYPE B & F LOCK NUT
TORQUE VALUES

Size	Ft-lbs.	N-m
5/16"	13-18	17-25
3/8"	23-33	31-44
1/2"	58-82	79-112
5/8"	117-165	158-223
3/4"	206-292	280-396

GRADE 5 BOLT TORQUE VALUES*

Size	Ft-lbs.	N-m
1/4"	8-12	11-16
3/8"	29-41	39-56
1/2"	73-103	99-140
5/8"	146-206	198-279
* applications without lock nuts		

1. On both sides of the vehicle, remove the rear bolt, arrow 1, from the tow hook channel. Bolts and nuts will be replaced by longer bolts and lock nuts supplied in the kit.

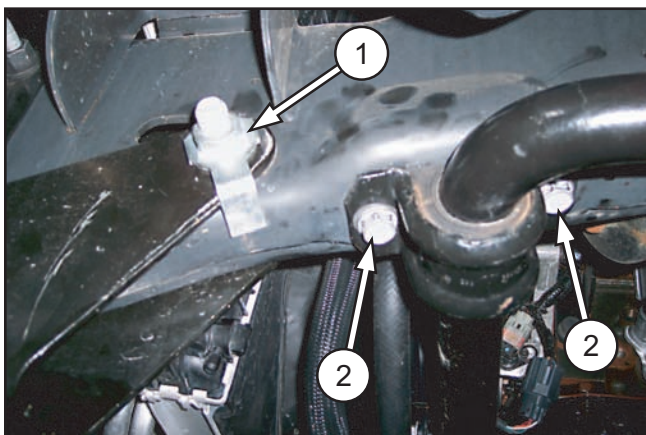


PHOTO NO. 100-2232

Likewise, on both sides of the vehicle, remove two bolts, arrow 2, that fasten the torsion bar bushings to the bottom of the frame rails, then carefully rotate the torsion bar down. Save the four bolts for reinstallation.

2. Slide LH and RH rear brackets onto the torsion bar so that holes in the brackets match holes in the bushings, then swing the torsion bar and brackets up onto the frame rails. Install 5/8 inch x 4 1/2 inch hex bolts through holes at location 1 and loosely thread a lock nut onto each bolt.

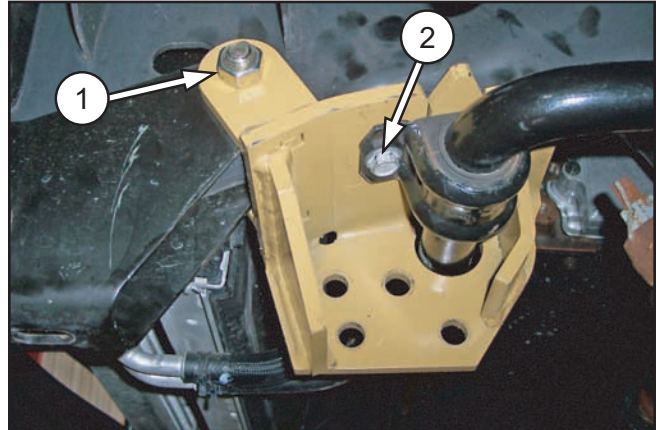
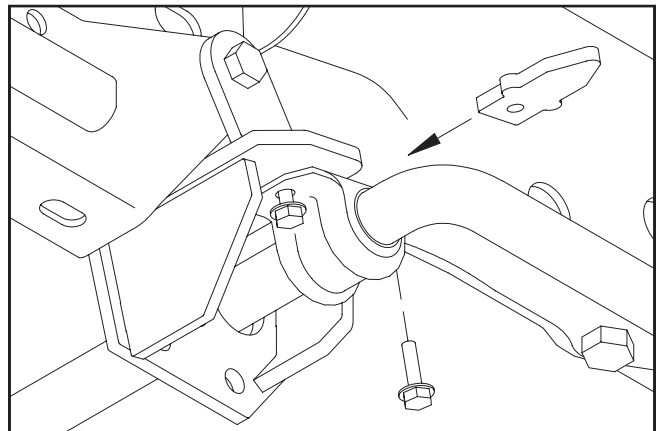


PHOTO NO. 100-2221

Insert spacer plates from the hardware bag into notches in the brackets to provide an upper surface for the bushings, then carefully reinstall original bolts at location 2 to fasten the assembly to the vehicle frame.



DWG. NO. 6334

Important: Take great care not to cross-thread or strip threads in the vehicle frame!

3. Lift the cross brace weldment to the bottom of the tow hook channels so that holes align. Insert 3/4 inch x 1 3/4 inch hex bolts from the top down through the front holes and secure the assembly with lock nuts.

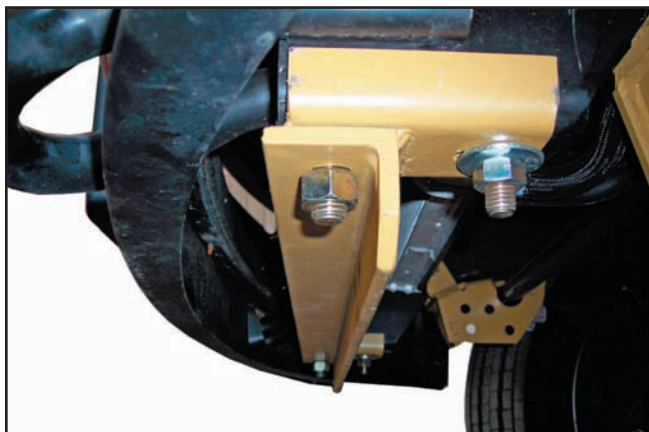


PHOTO NO. 100-2215

Place a flat washer onto two 5/8 inch x 1 3/4 inch hex bolts before inserting them from the top down through rear slots. Thread lock nuts with flat washers onto the bolts.

4. Fasten the LH and RH side brackets inside the rear brackets with four 5/8 inch x 1 3/4 inch hex bolts and lock nuts per side.

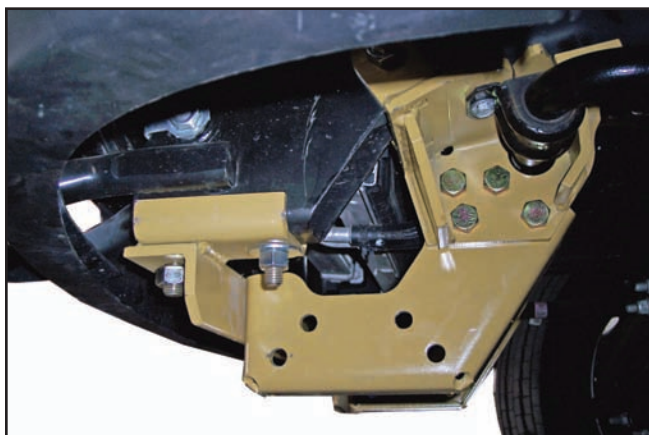


PHOTO NO. 100- 2212

Fasten front holes of the side brackets to the cross brace weldment with two 5/8 inch x 1 3/4 inch hex bolts and lock nuts per side.

5. Fasten the mount plates of the prong weldment to holes in the LH and RH side brackets with eight 5/8 inch x 1 /34 inch hex bolts and lock nuts.



PHOTO NO. 100-2204

Bottom edges of the prongs should measure about 10 inches above the ground. Ideally, the prongs should lift the plow frame slightly when driving into the plow.

6. Fully tighten all hardware to specified torque values.